

Part No.	BP45R1387S625A
Date	2022-12-14

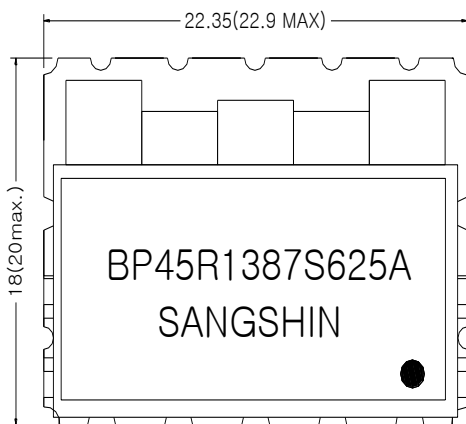
Written	Checked	Approved
김미현		

## 1. Electrical Specifications.

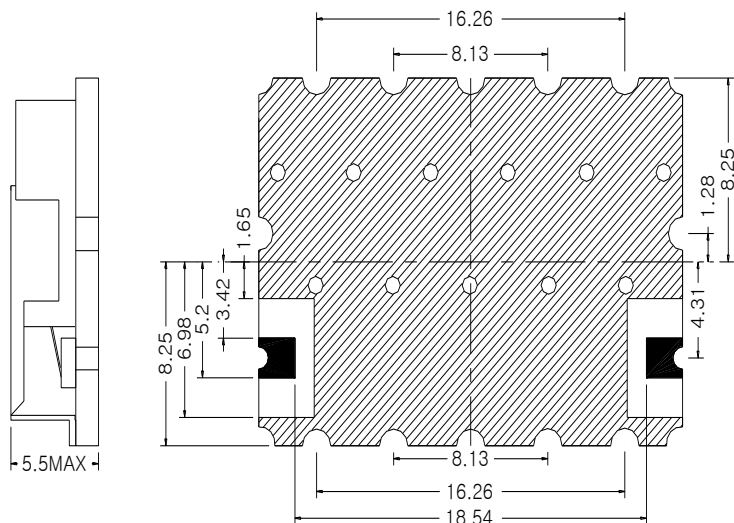
ITEM	Specifications
Center Frequency ( = Fc )	1387.5 MHz
Pass Bandwidth ( = BW )	1075 ~ 1700 MHz
Insertion Loss @ BW	2.0 dB max.
Ripple @ BW	1.2 dB max.
Return Loss @ BW	15 dB min.
In/Out Impedance	50 Ω
Group delay variation @ BW	5 nsec max.
Attenuation	50 dB min. @ 775 MHz
	50 dB min. @ 2000 MHz
Operation Temperature	-40°C ~ +85°C

## 2. Dimensions.

TOP VIEW



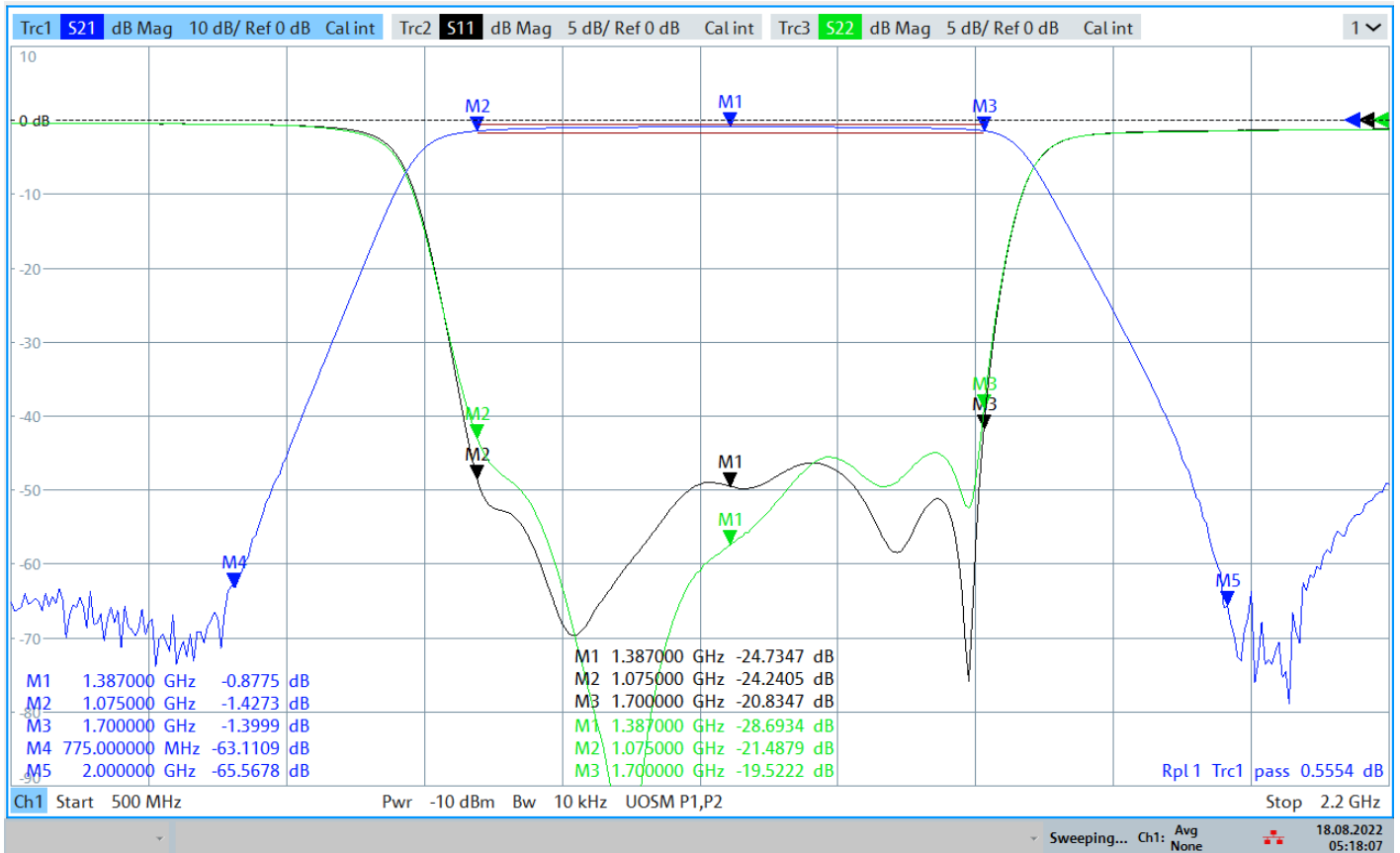
BOTTOM VIEW



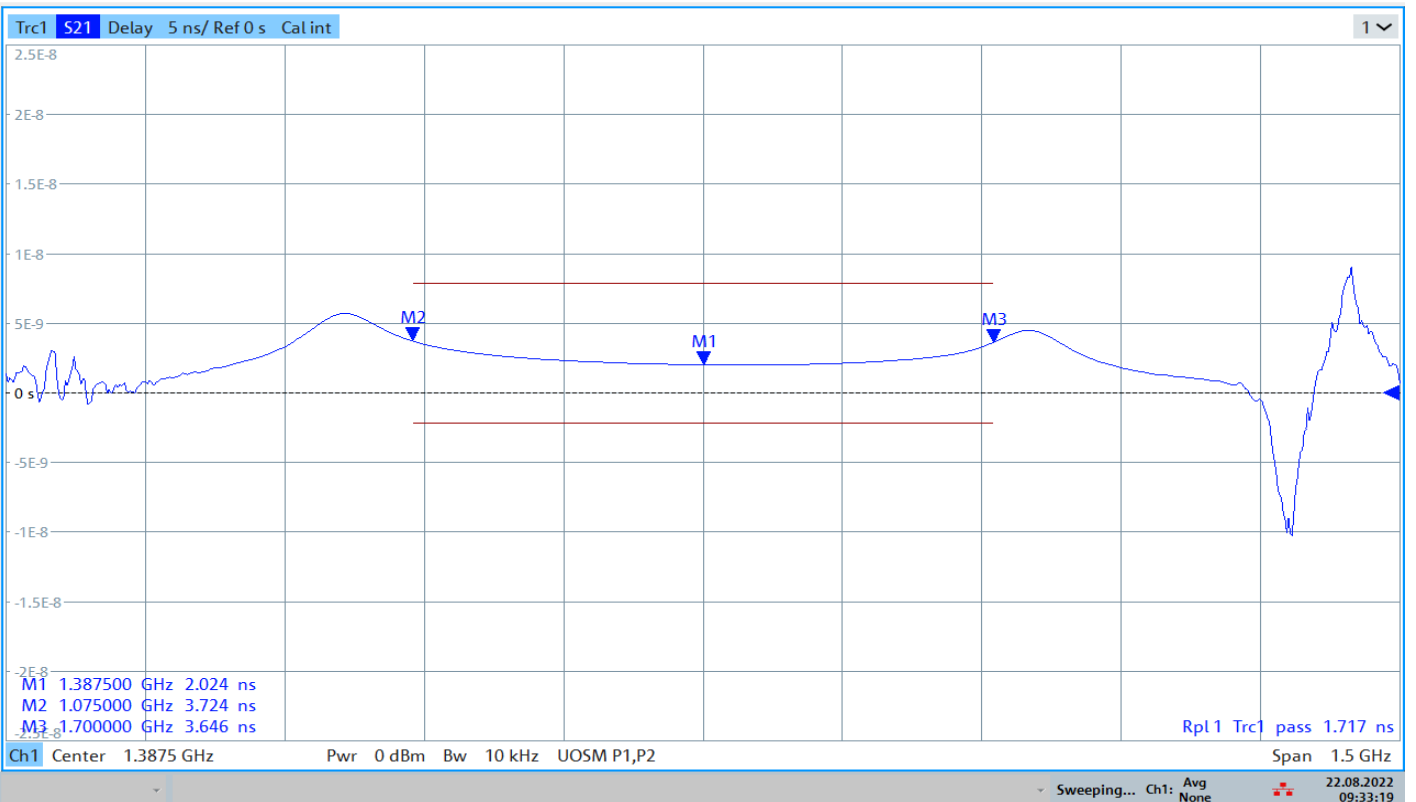
Tolerance Unless Otherwise Specified : +/-0.2mm

: GND  
 : PORT

### 3. Data



05:18:08 18.08.2022



09:33:20 22.08.2022